

Introduction

Tess 300 systems are for internally mounted vertical roller blinds suitable for large windows and curtain walling applications.



Technical specification

Model		Tess 308	Tess 312
Part number		T10893	T11259
Maximum width	(m)	4.2	6
Maximum draw	(m)	6	12
Maximum fabric area	(m ²)*	25	72
Basic weight	(kg)	7	9
+ per metre width	(kg)	3	3
Motor torque	(Nm)	15	55
Motor speed	(min ⁻¹)	17	17
Motor current at 230V	(A)	0.65	1.5
Motor cable length	(m)	2.5	2.5
Temperature range	(°C)	-5 to +55	-5 to +55
Maximum run time	(min)	4	4
Minimum fabric speed	(m/min)	5	7

* This figure is the maximum capacity of the system based on a fabric weight of 450gm/m².

The weight of the fabric and how prone it is to creasing should also be taken into account when sizing the blind

Materials

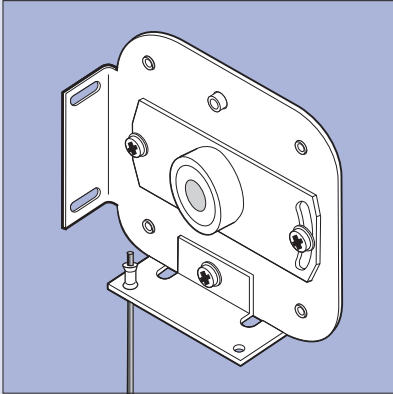
Hem-bar, anchor bracket and mounting brackets – Polyester powder coated aluminium

Fabric roller
(Tess 308) – Galvanised steel
(Tess 312) – Aluminium alloy

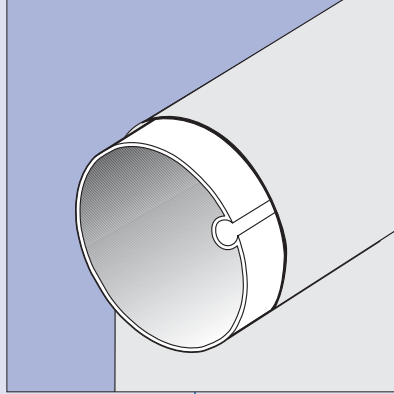
Guide cable – Nylon coated stainless steel

Details Tess 308

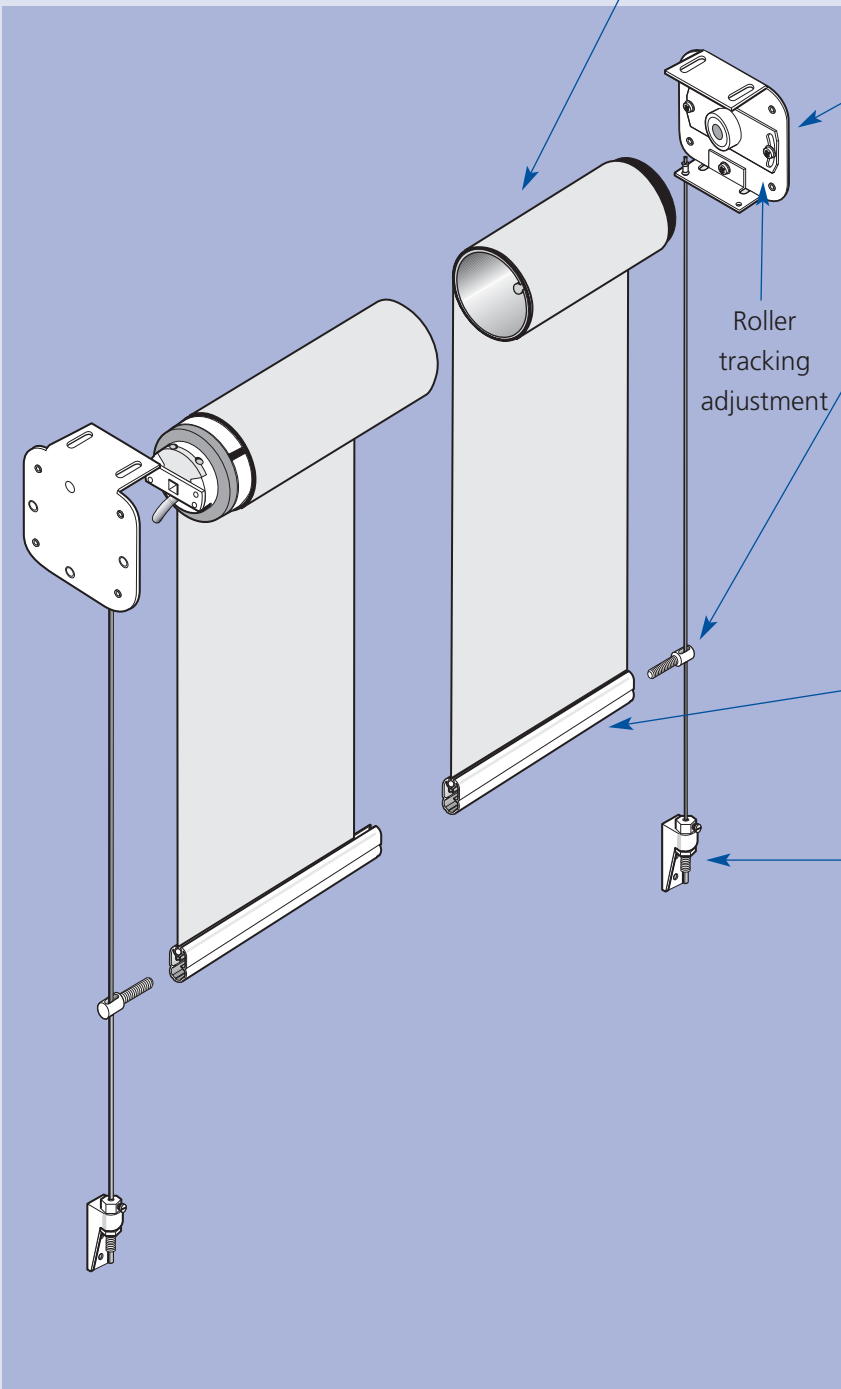
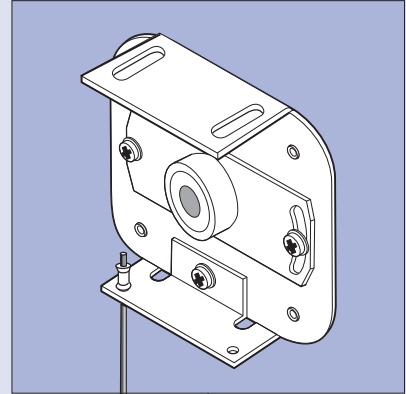
Back fix mounting bracket



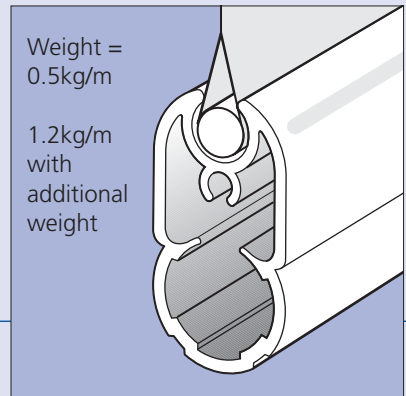
Fabric Roller



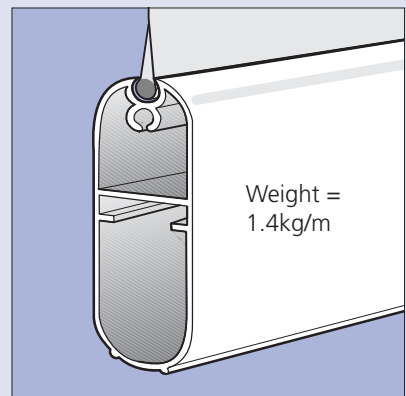
Top Fixing mounting bracket



Roller tracking adjustment



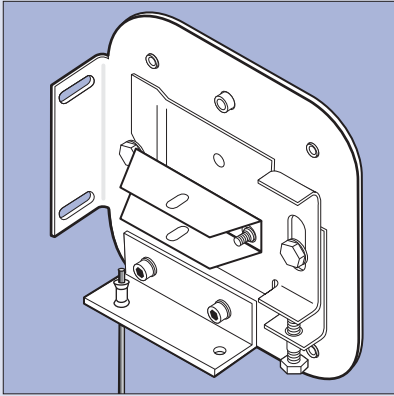
Hem bar



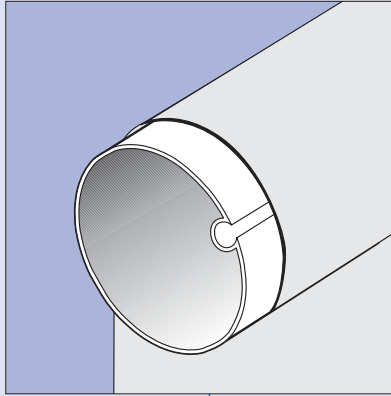
Alternative hem bar for 308/312

Details Tess 312

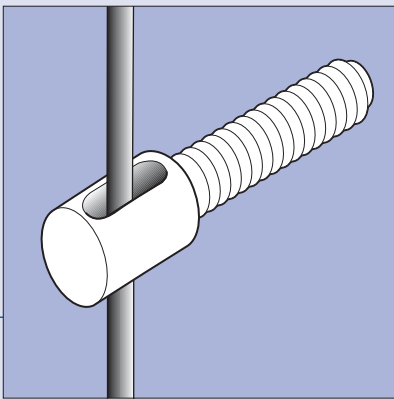
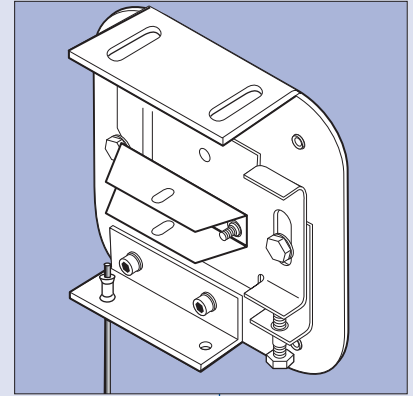
Back fix mounting bracket



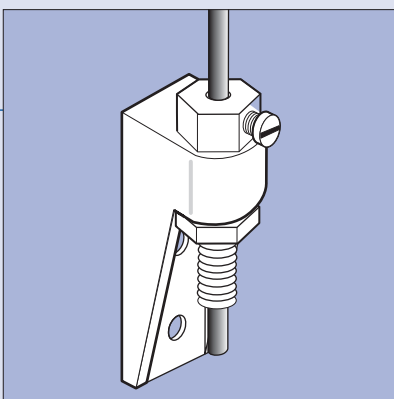
Fabric Roller



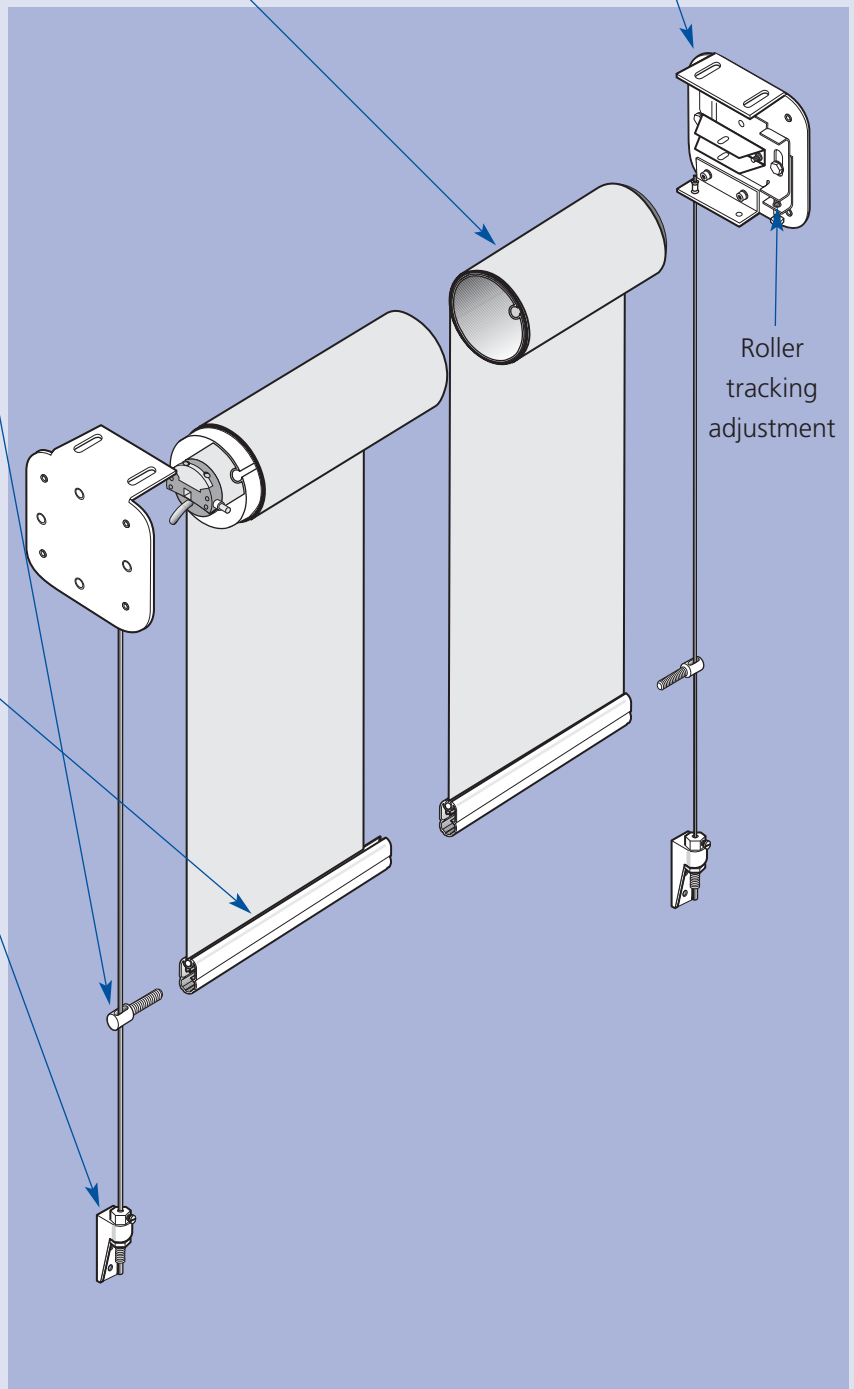
Top Fixing mounting bracket



Hem bar end cap



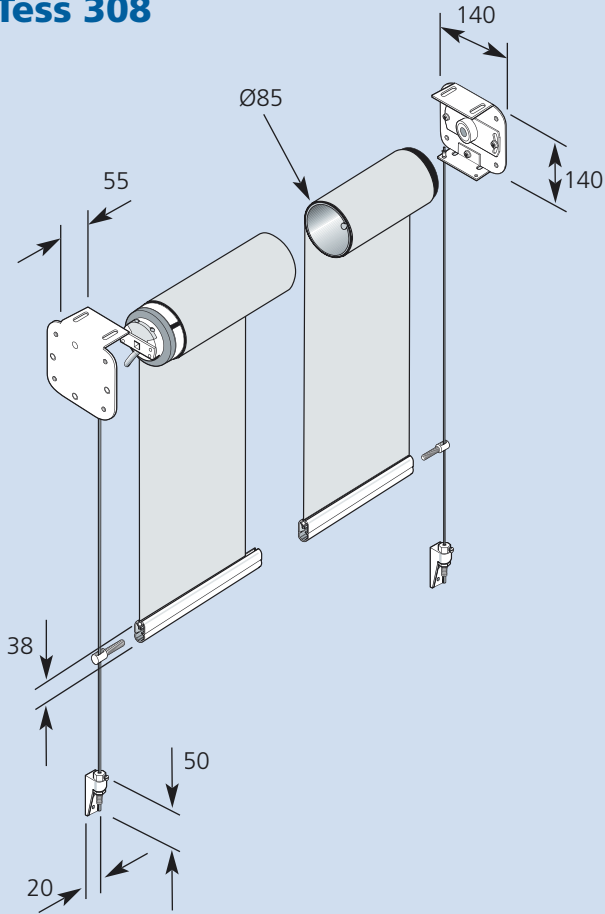
Anchor bracket and tensioning screw



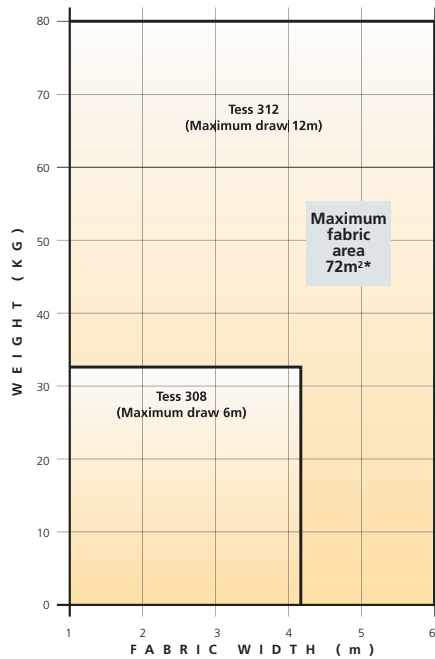
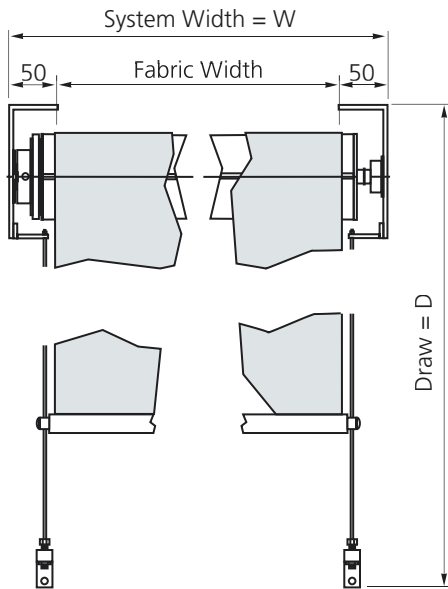
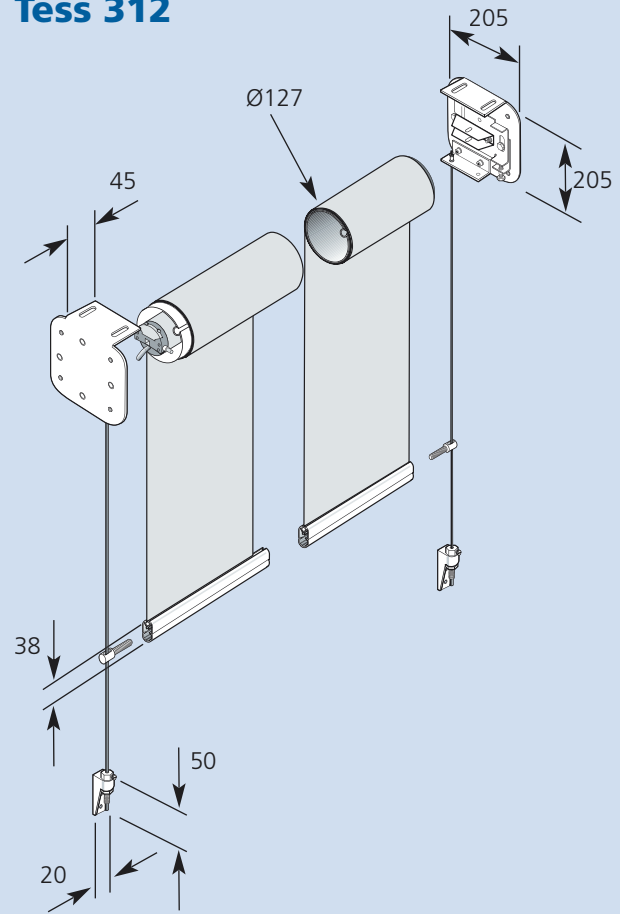
Roller tracking adjustment

Dimensions

Tess 308



Tess 312



Calculations are based on a maximum of 1:400 tube deflection.

* This figure is the maximum capacity of the system based on a fabric weight of 450g/m². The weight of the fabric and how prone it is to creasing should also be taken into account when sizing the blind